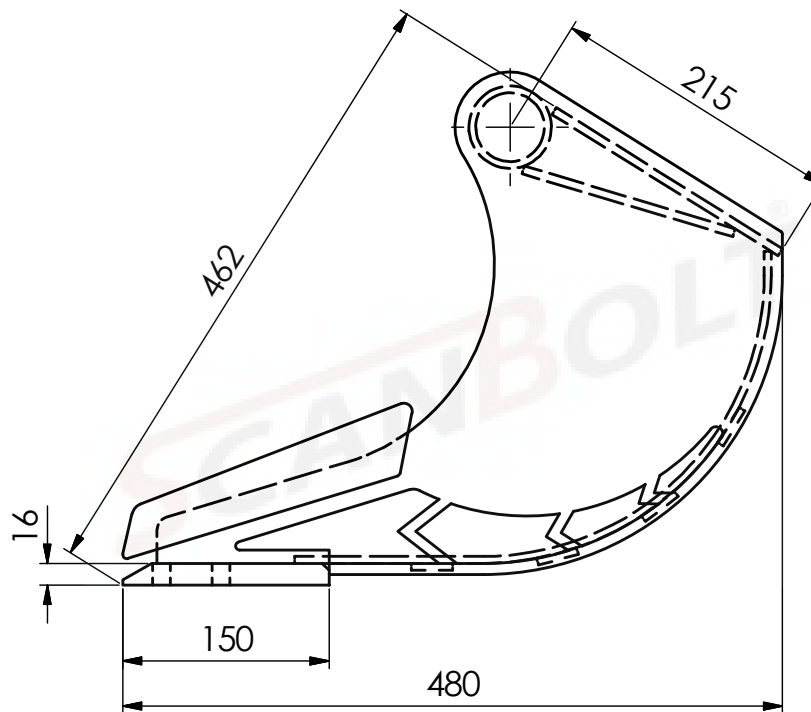
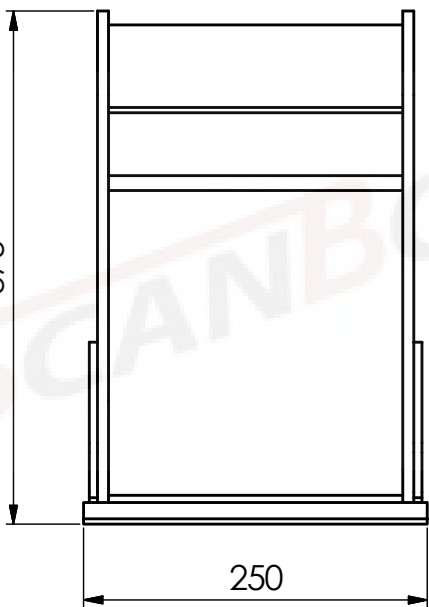
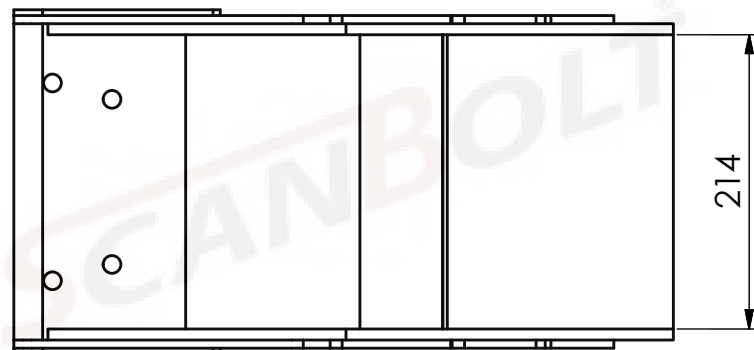
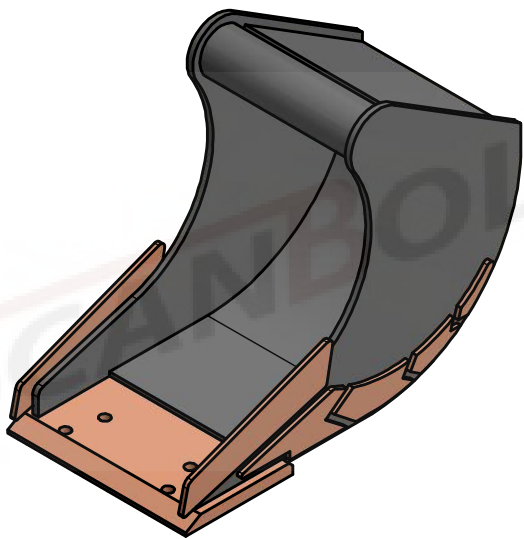


8 7 6 5 4 3 2 1



MATERIAL SPECIFICATION

ST52.3
EN8D
HB 400
HB 450
CASTALLOY STEEL

SCANBOLT®

DESCRIPTION	25CM DIGGING BUCKET
MACHINE CLASS	1.3-2.4 TON
WEIGHT	27 Kg
HEAPED CAPACITY	22 LITERS

8 7 6 5 4 3 2 1